



# **PHOTOELECTRIC SERIES**

## **UNDERWATER AND HARSH ENVIRONMENT CONNECTORS**

Photoelectric Series connector has been specially developed to offer reliable fibre optic connection in a minimum sized connector. Designed for subsea equipment manufacturers, the low insertion loss and low back reflection make this connector perfect for high speed data and video transmission.

The rugged stainless steel design ensures the connector is robust and reliable – whether on the deck of a vessel, on a platform or when deployed at high ocean depth.

Custom Service 1Fiber,2 Fiber ,2Fiber+2 Power 2Fiber+5Power,4Fiber4Power ,12 Fiber +2 Power

### **Applications**

ROV, ROTV and UUV systems

Fibre optic video and data multiplexers

Cable ploughs

Acoustics ranges

Fibre optic riser fatigue systems

General underwater fibre optic communication

Renewable energy

Standard depth rating of 4000-6000 meters provides reliable fiber optic connection in the smallest connection connectors

Low insertion loss and low backside reflection make the connector ideal for high-speed data and video transfers

Single mode or multiple mode can be customized



strong  
x  
durable



# OUR ADVANTAGES



## EASY SOLUTIONS

ADAPTABILITY IS ONE OF OUR BEST QUALITIES IT PERMIT US TO COPE WITH YOUR REQUEST ON A SHORT NOTICE AND EFFECTIVELY.



## NO PRICE FIGHTS

WE ESCAPED THE CLASSICAL "REBATE UNTIL YOU DROP" POLICY. WE ARE PRICE WISE SINCE THE BEGINNING



## HIGH LEVEL EXPERIENCE

OUR TECHNICAL CAPABILITIES HAVE BEEN TESTED FOR MORE THAN 30 YEARS AND IN DIRECT CONNECTION WITH END USERS. SO TODAY



## ENDLESS INVESTIGATION

WE CONTINUOUSLY MEASURE EVERYTHING TEST. TEST AND TEST AGAIN. THIS HELPS US UNDERSTAND RISKS AND REWARDS. AND BE PREPARED



## NO FORTUNE TELLER

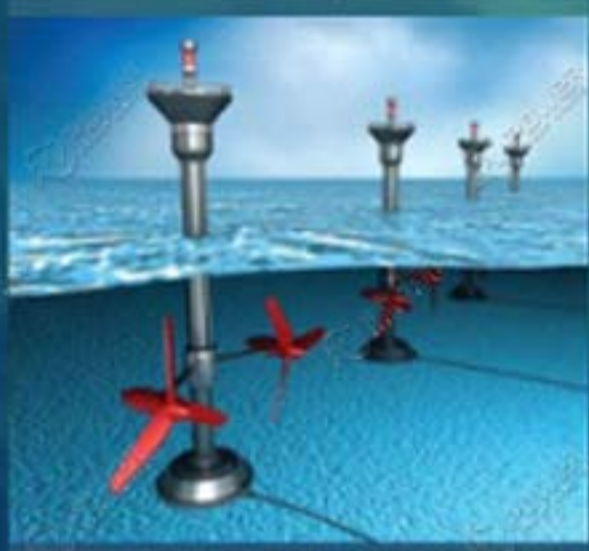
WE BASE OUR DECISIONS ON CLEAR BUSINESS PLANS, THINKING BEFORE MAKING OUR STEPS AND KEEPING A NOT TO DO LIST FOR EVERYONE OF THEM



## TEAM BUILDING

OUR TEAM IS MADE NOT ONLY BY OUR STAFF BUT IT INCLUDES ALSO ALL OUR CUSTOMERS WE ACT LIKE A TEAM WE GROW LIKE A TEAM WE WIN LIKE A TEAM

# APPLICATION



Marine Renewable Energies



Diving



Oil and Gas



Towed Streamers



Submarines



Water Treatment



ROVs & AUVs



Vessels



Geophysics

strong  
×  
durable



# PRODUCT MIX

## MAIN TECHNICAL



Rated Voltage

300v DC/AC

Rated Current

2 Power : Single Core  
Current 16-18A

Optical loss

≤2dB

Insulation resistance

>200Mohm

Contact resistance

< 0.01ohm

Number of plugable

≥500 Times

Operating temperature  
(in water)

- 40 To 60°C, 25 To 140°F

Operating temperature  
(in the air)

- 40 To 60°C · - 40 To 140°F

Storage temperature

- 40 To 60°C · - 40 To 140°F

Water pressure grade

1-40MPa

Cable Breaking Strength

50-500KG

Shell material

Stainless steel

sealing material

NBR/O molding ring

Lock cap

Dust proof, water  
proof/anodized  
aluminum alloy surface

Contact Pin

2.5SC 1.25LC

Ceramic core connection

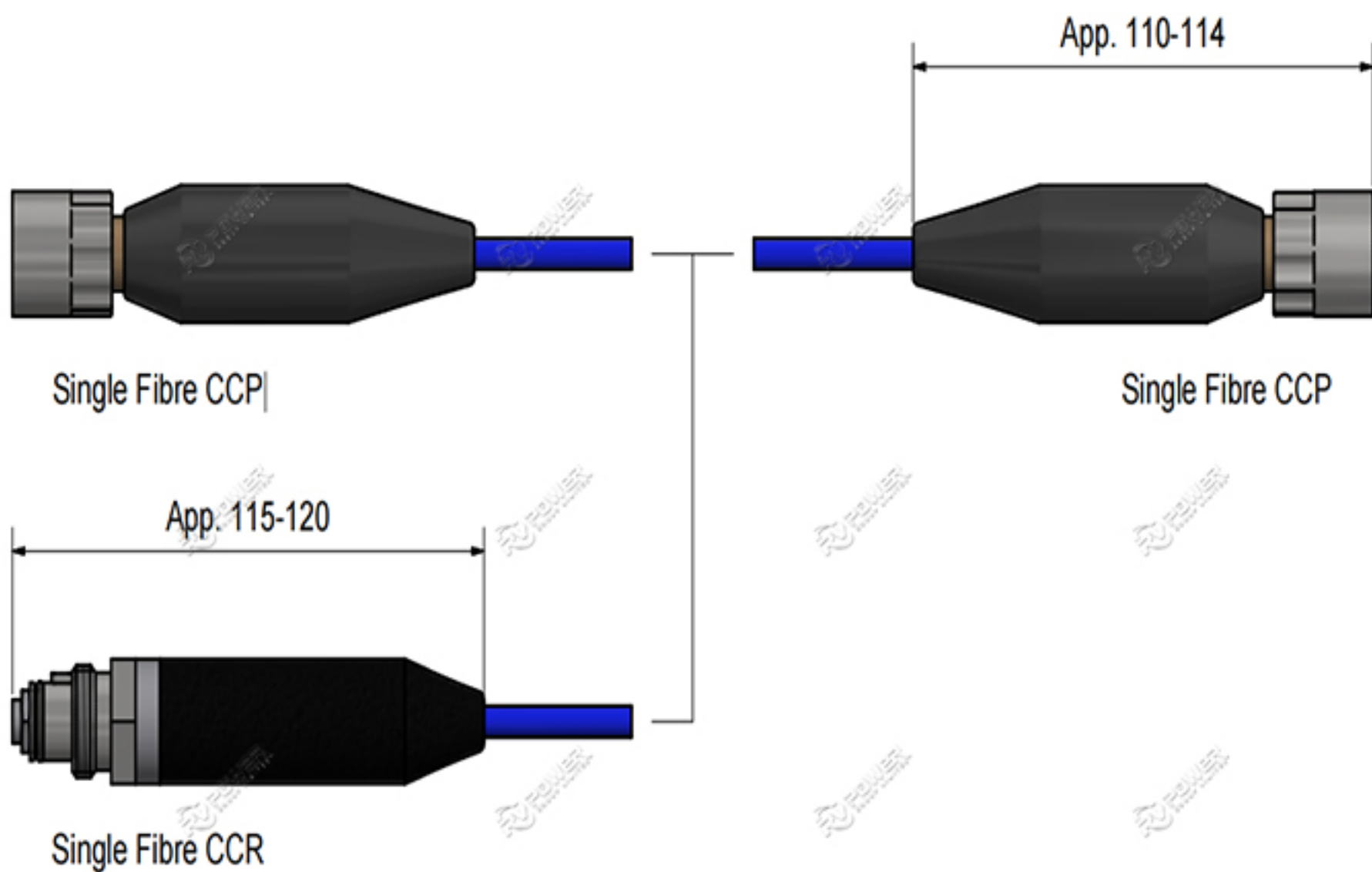
Contact Type

Tighten the plug/nut

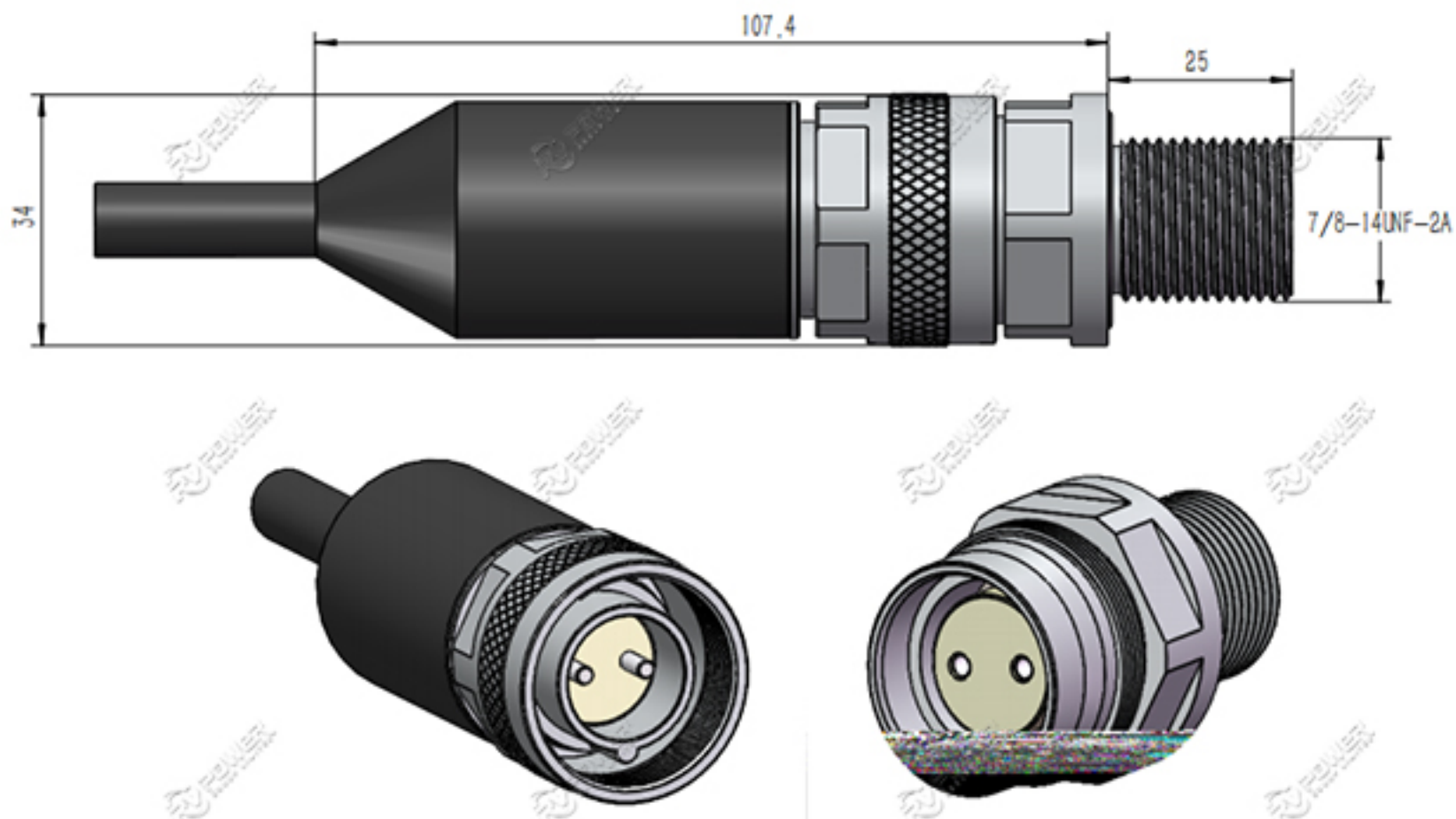
Install the screw

7/8-14UNF-2A

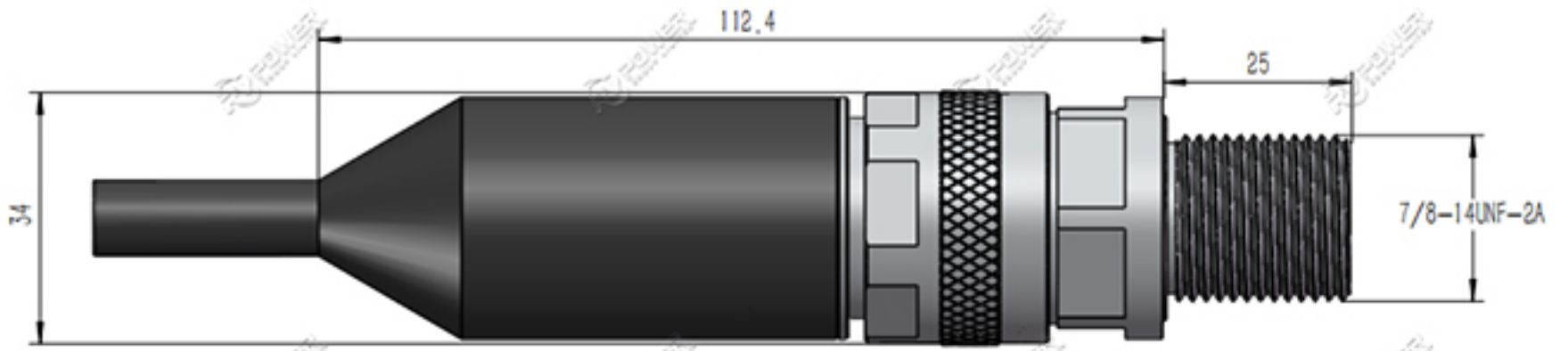
## Single-Fibre Connector Photoelectric Series



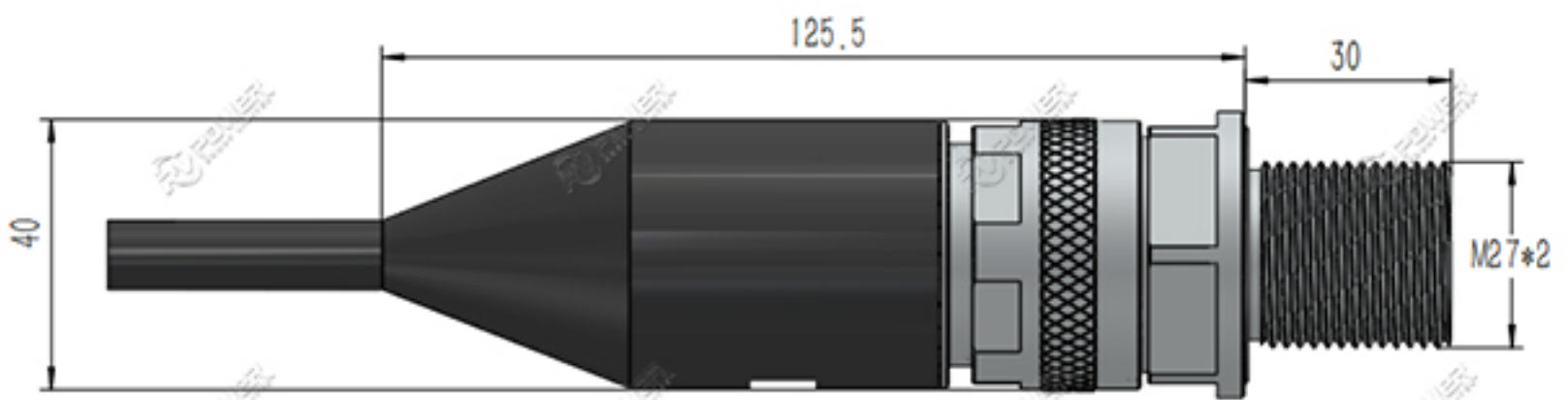
## 2 Fibre Connector Photoelectric Series

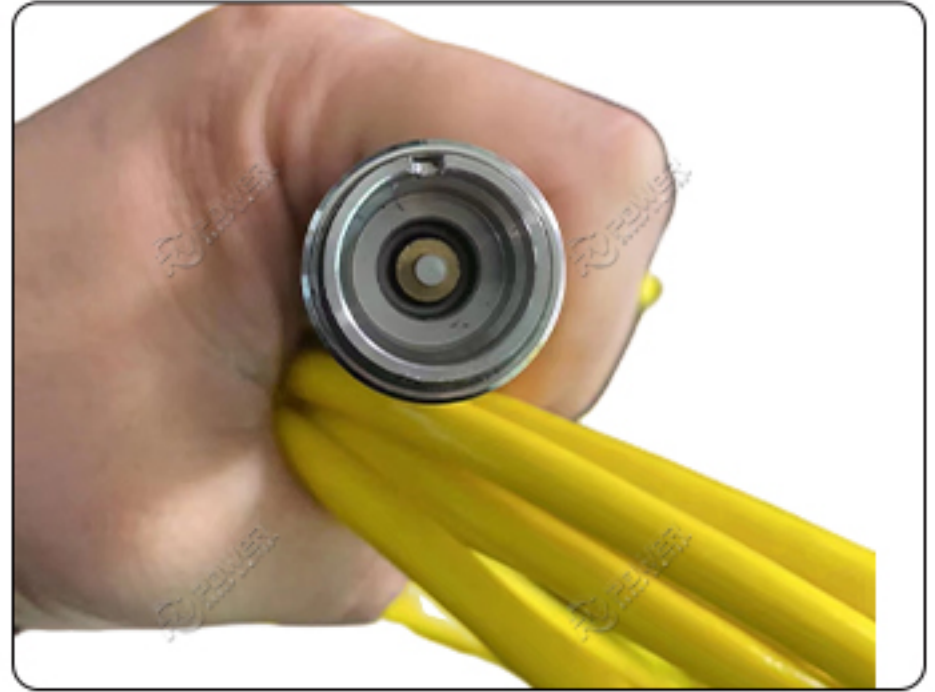
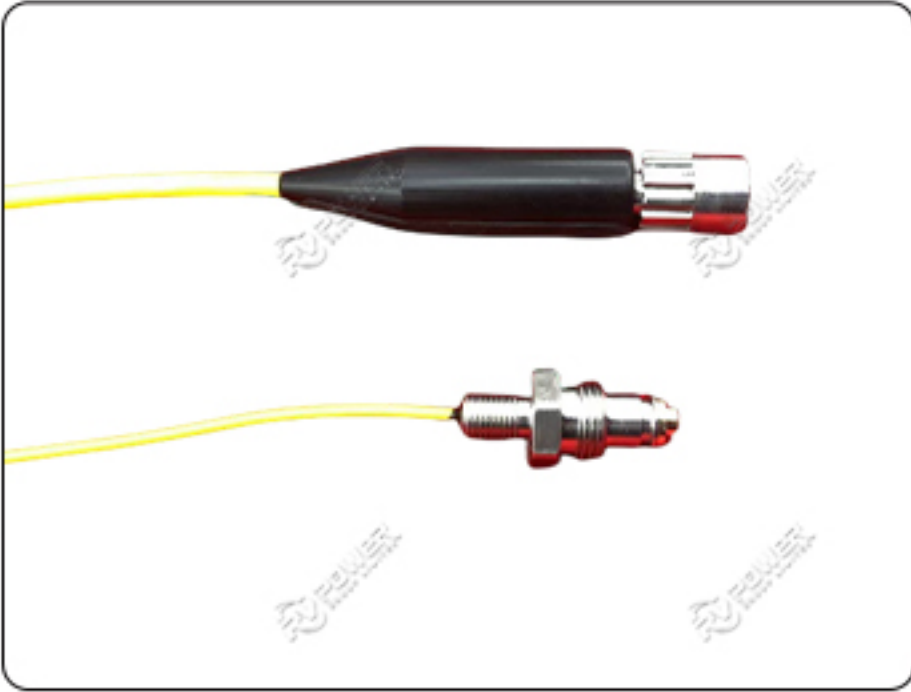


## 2Fiber+2 Power Photoelectric Series



## 4Fiber+2 Power Photoelectric Series





# SUBSEA CONNECTORS AND SUBSEA CABLES

RV POWER GROUP is a underwater connector factory in China. We are a global supplier focusing on the ocean (marine) solution for underwater connectors and cables. Specializing in the design, manufacture, sales and service. If your project is in the design stage, we can provide engineering assistance with the professional advice. If your requirements are already specified and ready for quote, we will try our best to meet your deadlines and pricing targets and finally deliver the high-quality stable products as you need.

RV POWER GROUP subsea connectors and subsea cables are suitable for oceanographic systems, offshore oil and gas, defense systems, geo-seismic research, diving systems and equipment, ship projects, subsea survey, underwater instruments, mining equipment, underwater monitoring/inspection/observations, underwater data logger, subsea navigator, hydrography equipment, aquaculture farm and services inspection, underwater robotics like remote operation vehicles (ROV's & ROTV's) and autonomous Underwater Vehicles (AUV), and submarines, ship towed sonars and underwater acoustic devices, etc.

With the state-of-the-art technology and professional engineer team, we believe you find the right partner here with excellent service. In case you do not find a suitable solution within our standard range, please do not hesitate to contact us for customization.

# Underwater and harsh environment connectors

Circular Series

Micro Circular Series

Low Profile Series

Micro Low Profile series

Ethernet Series

Optical fiber and Power Series

power series

split series

Aviation plug Series

Coax series

Metal Shell series

RMG Series

55 Series

Specials Series

Underwater PUR Cable

ROV Tether Cable

Additional accessories



strong  
x  
durable



## DETAIL DISPLAY



### ONE

Standard depth rating of 4000-6000 meters provides reliable fiber optic connection in the smallest connection connectors

### TWO

Ethernet series marked the first high speed underwater communications system to offer true Ethernet type performance



### THREE

Custom Service 1Fiber,2 Fiber ,2Fiber+2 Power 2Fiber+5Power,4Fiber4Power ,12 Fiber +2 Power

### FOUR

Low insertion loss and low backside reflection make the connector ideal for high-speed data and video transfers



### FIVE

Single mode or multiple mode can be customized





**OIL RESISTANT**

---



**FLAME RESISTANT**

---



**HALOGEN FREE**

---



**COLD RESISTANT**

---



**ABRASION RESISTANT**

---



**MICROBE RESISTANT**

---



**MUD RESISTANT**

---



**WATER RESISTANT**

---

**OVER 20 YEARS**

OF SPECIAL CABLE AND CUSTOM-MADE CABLE / CONNECTORS MANUFACTURING

WE CAN TURN YOUR DESIGN INTO A REAL OBJECT.

# OUR TRANSPORTATION



# THANK YOU

---

FOR YOUR ATTENTION  
LOOK FORWARD TO COOPERATING WITH YOU



[www.subseaconn.com](http://www.subseaconn.com)



[sales@subseaconn.com](mailto:sales@subseaconn.com)



Jackiefanonline88



Tel:+86 18501648956



Whatsapp: +86-18501648956



specialcable